

Water Closet Manual Concealed Cistern

PRODUCT FEATURES

- Top operated conceal tank with actuator flush panel
- Dual flush system
- Anti-siphon fill valve
- Impact resistant high density polyethylene tank

PRODUCT SPECIFICATIONS

- Flush Panel Dimension : 235 (L) x 11 (W) x 155 (H) mm
- Material : Stainless steel 304
- Finishing : Brushed finish
- Minimum Water Pressure : 50 kPa

DISCHARGE VOLUME

- WELS Rating : Excellent ✓✓✓
- Full Flush : 3.5 Litre per flush
- Reduced Flush : 2.5 Litre per flush
- Water Saving : 22 %



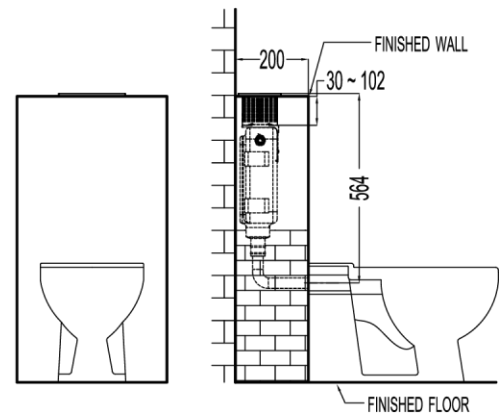
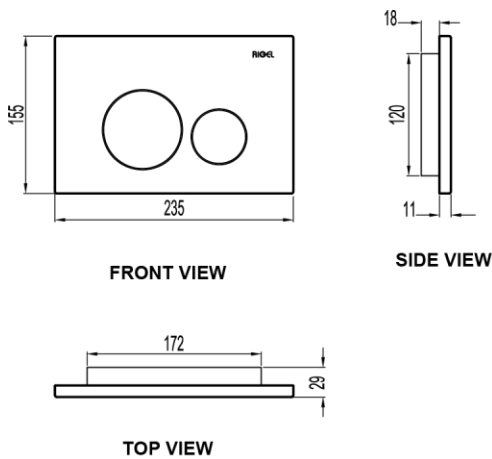
RESOURCEFUL FEATURE:



Dual Flush Mechanism

TECHNICAL DRAWING

INSTALLATION DETAILS



Copyright © Rigel Technology (S) Pte Ltd. All rights reserved. Terms of Use.