

## Urinal Touch Flush Valve – Exposed Type

### PRODUCT FEATURES

- Piston valve with build-in stainless steel strainer for screening out the debris
- Brass chrome finished body

### PRODUCT SPECIFICATIONS

- Dimension : 148 (L) x 51 (W) x 92 (H) mm
- Material : Brass casting flush valve
- Water Supply : BSPT G 1/2"
- Supply Pressure : 100 kPa (flowing) – 800 kPa

### DISCHARGE VOLUME

- WELS Rating : Excellent ✓✓✓
- Discharge Volume : 0.5L/flush
- Water Saving : 73%



### RESOURCEFUL FEATURES:

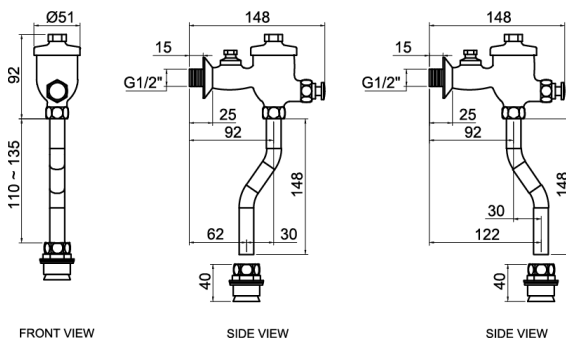


Hold-Flow Flushing

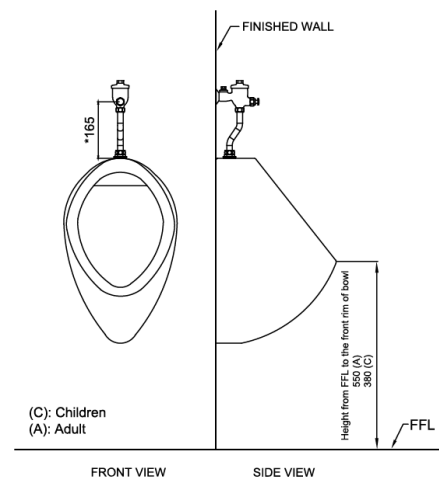


Built in Manual Overriding Button

### TECHNICAL DRAWING



### INSTALLATION DETAILS



(\*)Denotes recommended value.  
All dimension are in mm.