

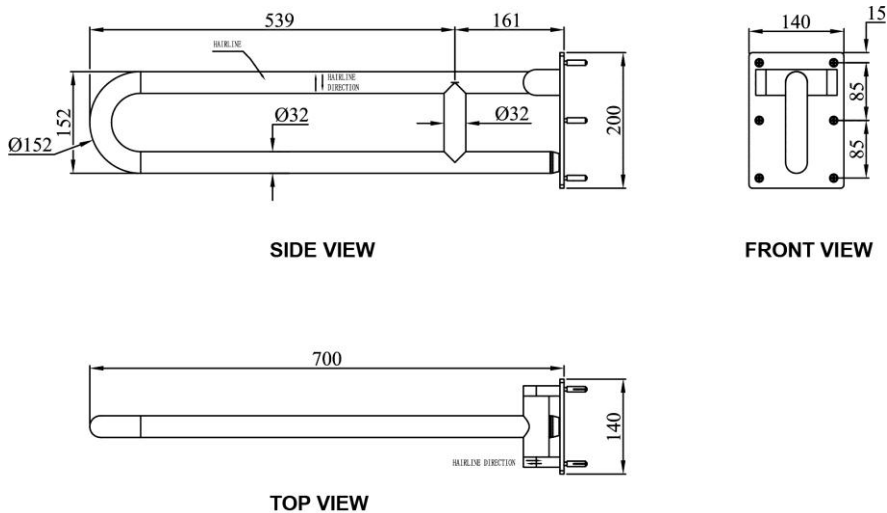
## Swing-up Grab Rail

### PRODUCT SPECIFICATIONS

- Material : Stainless steel 304
- Loading Force : 1.3kN
- Finishing : Hairline finish
- Dimension : 700 x 140 x 200 x Ø32mm



### TECHNICAL DRAWING



Copyright © Rigel Technology (S) Pte Ltd. All rights reserved. Terms of Use.