

Wall-Hung Water Closet

PRODUCT FEATURES

- Wall hung low capacity water closet
- Wall hung toilet can be paired with Rigel conceal cistern or conceal box flush valve system

FLUSHING TYPE

- Wash down

PRODUCT SPECIFICATIONS

- Dimension : 600 (L) x 365 (W) x 380 (H) mm
- Inlet : Top Inlet
- Material : Vitreous China
- Trap Seal : 50mm minimum
- Minimum Water Pressure : 135 kPa
- Seat and Cover : BP111 (PP)

DISCHARGE VOLUME

- Full Flush : 4.5 – 6 Litre per flush
- Reduced Flush : 3.0 Litre per flush



RESOURCEFUL FEATURES:



Soft-Closing
Seat & Cover

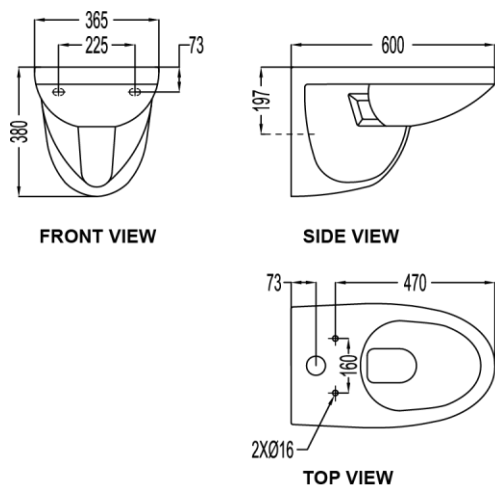


Dual Flush
Mechanism

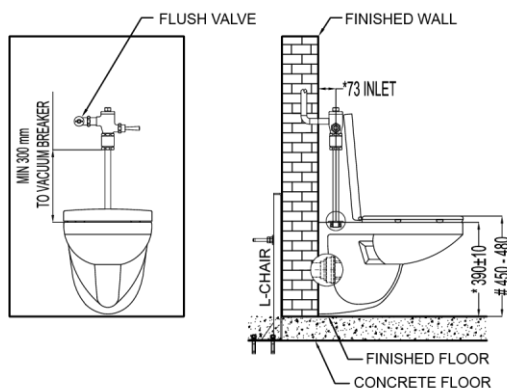


Anti-Bacterial
Technology

TECHNICAL DRAWING



INSTALLATION DETAILS



STANDARD (*) - 390±10 from floor finishing to the rim of water closet.
HANDICAPPED (#) - 450 ~ 480 from floor finishing to the top of the water closet seat.
750 from the front edge of the water closet to the rear wall.