

### Features

- Glazed underside works beautifully for countertop installations.
- No faucet holes; requires wall- or counter-mount faucet.

### Material

- Vitreous china

### Installation

- Above-counter, countertop, or wall-mount.
- Requires K-9655 Vessels bracket for wall-mount installation.

### Recommended Accessories

K-7114 Pop-Up Drain  
K-7129 Drain  
K-9018 P-Trap  
K-9655 Wall-mount Bracket

### Components

Additional included component/s: Adjustable Linkage, and Cut-Out Template.



ADA CSA B651 OBC

### Codes/Standards

ASME A112.19.2/CSA B45.1  
ADA  
ICC/ANSI A117.1  
CSA B651  
OBC

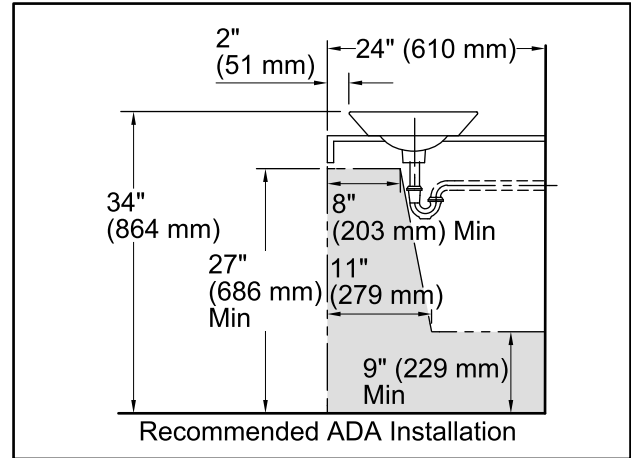
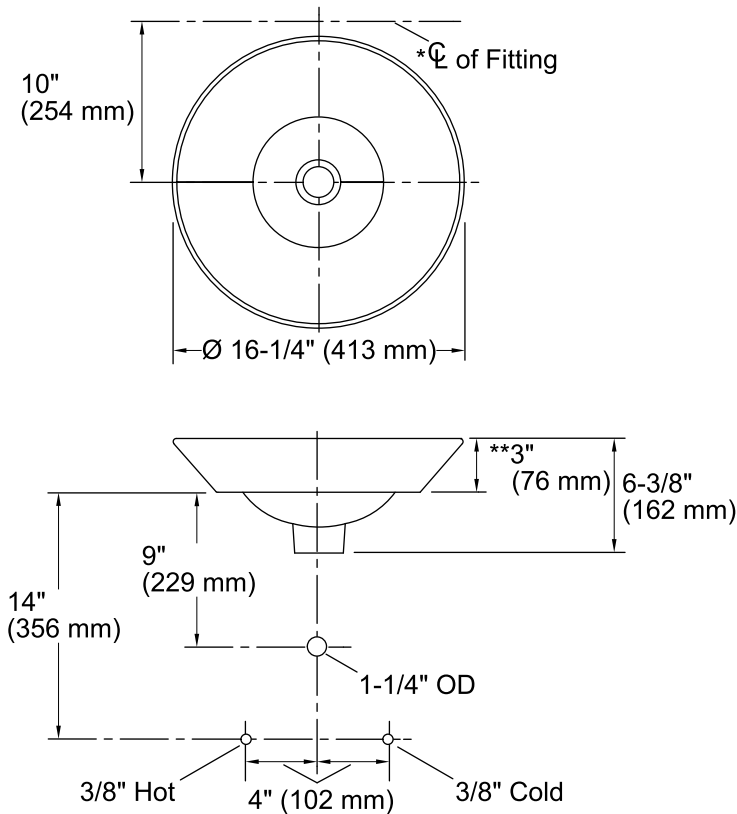
### Kohler One-Year Limited Warranty

See website for detailed warranty information.

### Available Color/Finishes

*Color tiles intended for reference only.*

Color	Code	Description
	0	White
	33	Mexican Sand™
	47	Almond
	58	Thunder™ Grey
	7	Black Black™
	95	Ice™ Grey
	96	Biscuit
	G9	Sandbar
	K4	Cashmere
	NY	Dune



### Technical Information

All product dimensions are nominal.

Installation:	Above-counter, Wall-mount
Bowl area	Water depth: 4-1/4" (108 mm)
Drain hole:	1-3/4" (44 mm)
Template:	Top-mount, 1002980-7, not required, not included

### Notes

Install this product according to the installation guide.

Product does not have an overflow.

Spout must be 5" (127 mm) long (min) for adequate clearance into the bathroom sink when installed with centerline as shown.

\*\*Spout must be tall enough to clear 3" (76 mm) rim height and provide a 1" (25 mm) air gap per ASME A112.1.2

NOTICE: Countertop manufacturer or cutter must use the cut-out template provided with the product, or a current one provided by Kohler Co. (call 1-800-4-KOHLER). Kohler Co. is not responsible for cut-out errors when the incorrect cut-out template is used.

ADA, OBC, CSA B651 compliant when installed to the specific requirements of these regulations.