

Bath/Shower System

PRODUCT FEATURE

- Wall mounted

PRODUCT SPECIFICATIONS

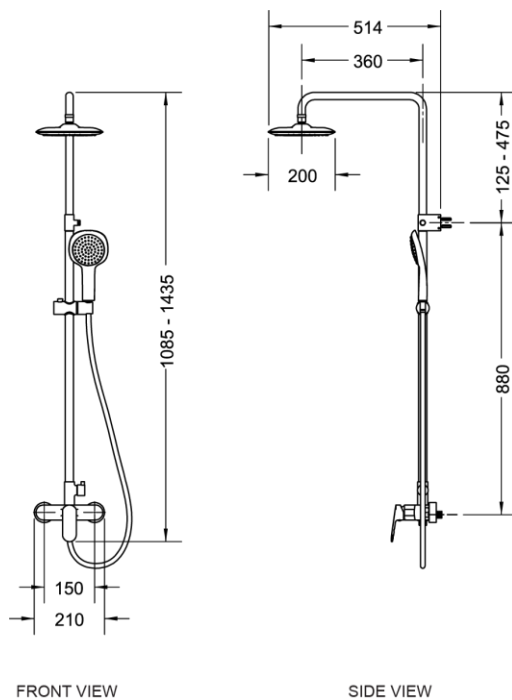
- Dimension : 210 (L) x 514 (W) x 1435 (H) mm
- Material : Brass Chrome

WATER CONSUMPTION

- WELS Rating : Excellent ✓✓✓
- Water Flow Rate : 5.0L/minute
- Water Saving : 44%



TECHNICAL DRAWING



Copyright © Rigel Technology (S) Pte Ltd. All rights reserved. Terms of Use.