

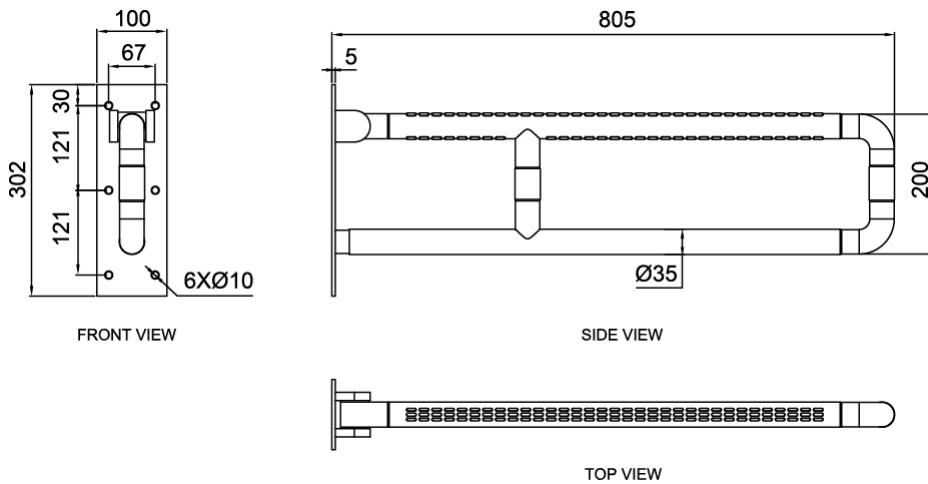
Swing-up Grab Rail

PRODUCT SPECIFICATIONS

- Material : Nylon Anti-Bacterial
- Loading Force : 1.3kN
- Colour : White
- Dimension : 805 x 100 x 302 x Ø35mm



TECHNICAL DRAWING



Copyright © Rigel Technology (S) Pte Ltd All rights reserved. Terms of Use.