

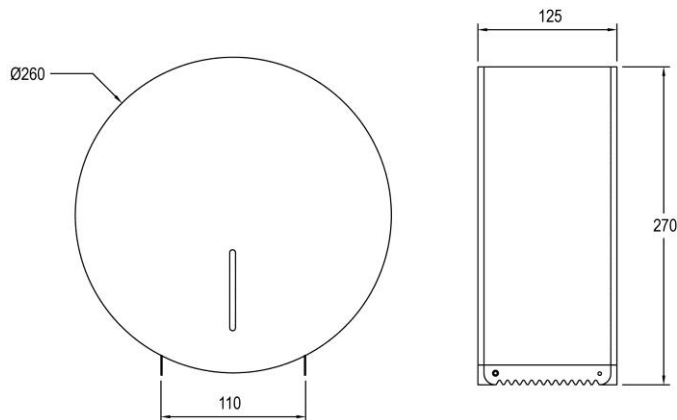
Jumbo Roll Paper Holder without Cam Lock

PRODUCT SPECIFICATIONS

- Dimension : Ø260 (L) x 125 (W) x 270 (H) mm
- Material : Stainless Steel 304, Hairline Finish



TECHNICAL DRAWING



Copyright © Rigel Technology (S) Pte Ltd All rights reserved. Terms of Use.