

## Deck Mounted Raised Sensor Tap

### PRODUCT FEATURES

- Automatic infrared sensor activation faucet
- Fully automatic sensor activation for personal hygiene
- Electrical sensor is isolated and sealed in waterproof compartment
- Self adjusting signal frequency to prevent interference with other sensor products

### PRODUCT SPECIFICATIONS

- Dimension : 180 (L) x Ø60 (W) x 267 (H) mm
- Material : Polished brass with chrome finish
- Power Supply : 230VAC 50Hz
- Detection Range : Self-adjusting to environment
- Operating Temperature : 0 – 40°C
- Supply Pressure : 70 kPa (flowing) – 700 kPa
- Water Consumption : 10 secs. Faucet: 0.35 litre per cycle
- Saving Feature : Auto cut-off when hands are removed
- Detection Time : ON feature: Immediate  
OFF feature: 0.5 secs. delay

### WATER CONSUMPTION

- Water Flow Rate : 6.0L/minute



**SLS**  
Singapore Laboratory Services

### RESOURCEFUL FEATURES:



Auto-Adjust



Constant Flow Regulator



Anti-Conflict

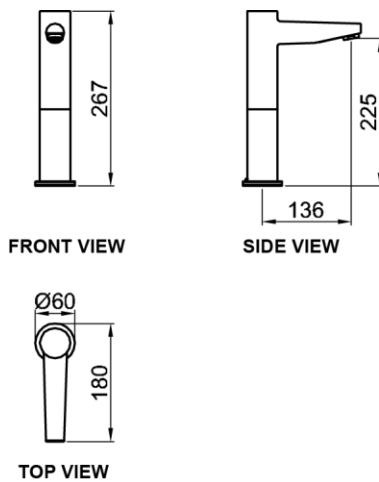


Touch-Free



RC1000 Remote Control

### TECHNICAL DRAWING



### INSTALLATION DETAILS

