

Features

- Constructed of vitreous china.
- 29-5/8" H, 15" W, 15-5/8" D
- Cartridge-free waterless urinal functionality.
- Saves up to 40,000 gallons of water per fixture per year and significantly reduces sewage and maintenance costs.
- Cartridge-free integral trapway provides enhanced performance and less maintenance.
- Optimized interior design virtually eliminates splashing.
- Touch-free design is vandal resistant and offers added hygiene to users.
- This product can help a building earn Water Efficiency points in the LEED Green Building Rating System™. See specification sheet for water use data.

Components

Additional included component/s: 2" Outlet Spud, Hanger (2 Required), Universal Mounting Bracket, Removable Strainer, 3 oz (89 ml) Sealing Liquid Sample, Cleaner Sample, and Urinal Ball Sample.



ADA

Codes/Standards





ASME A112.19.2/CSA B45.1
ADA
ICC/ANSI A117.1

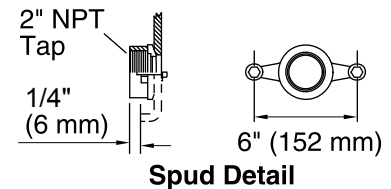
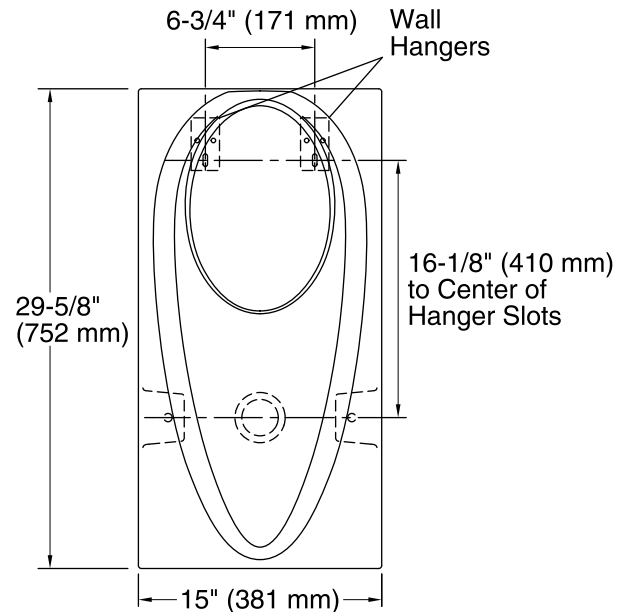
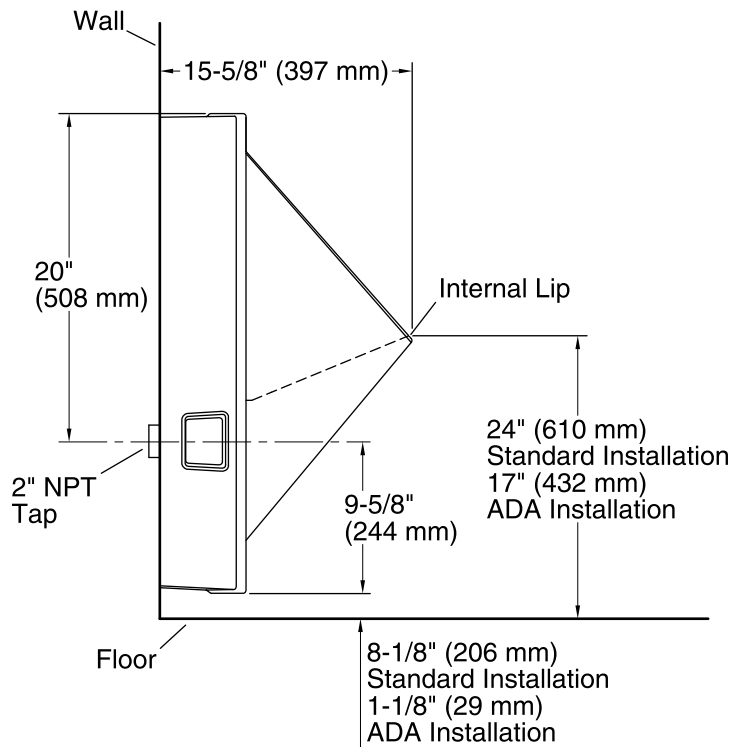
KOHLER® One-Year Limited Warranty

See website for detailed warranty information.

Available Color/Finishes

Color tiles intended for reference only.

Color	Code	Description
	0	White
	96	Biscuit
	47	Almond
	7	Black Black™



Technical Information

All product dimensions are nominal.

Flush outlet technology: Waterless
Spud size: 2", Outlet, Rear

Notes

Install this product according to the installation guide.

CAUTION: Risk of property damage. When connecting waterless urinals to the building drain waste vent system, do not use copper pipe or copper tube connectors. The use of a copper connector will result in corrosion of the connector and potential building structure damage caused by leakage.

ADA compliant when installed to the specific requirements of these regulations.