

WC Touch Flush Valve – Concealed Box

PRODUCT FEATURES

- Heavy duty S/S grade 304 cover plate with satin finish
- Piston valve with build-in stainless steel strainer for screening out the debris
- Complete with 1-1/4" vacuum breaker set
- Dual flush manual

PRODUCT SPECIFICATIONS

- Dimension : 204 (L) x 204 (H) mm
- Material : Brass casting flush valve with stainless steel satin finish panel
- Water Supply : BSPT G 1"
- Supply Pressure : 135 kPa (flowing) – 860 kPa (minimum flow rate of 90 litre/minute)

DISCHARGE VOLUME

- Full Flush : 4.5L per flush
- Reduced Flush : 3.0L per flush



RESOURCEFUL FEATURES:

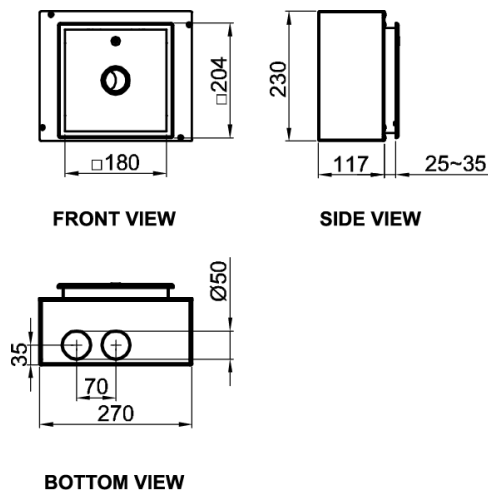


Hold-Flow
Flushing

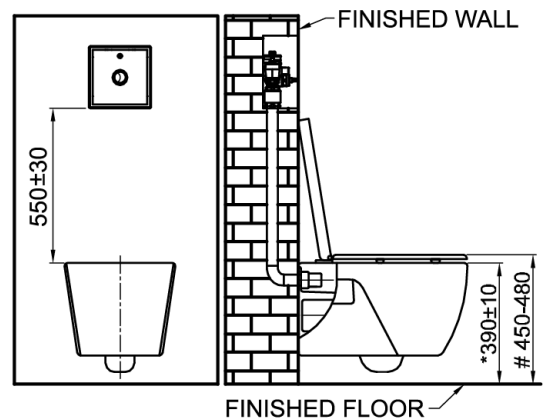


Build in Manual
Overriding Button

TECHNICAL DRAWING



INSTALLATION DETAILS



STANDARD (*)
390±10 from floor finishing to the rim of water closet
HANDICAPPED (#)
450-480 from floor finishing to the top of the water closet seat