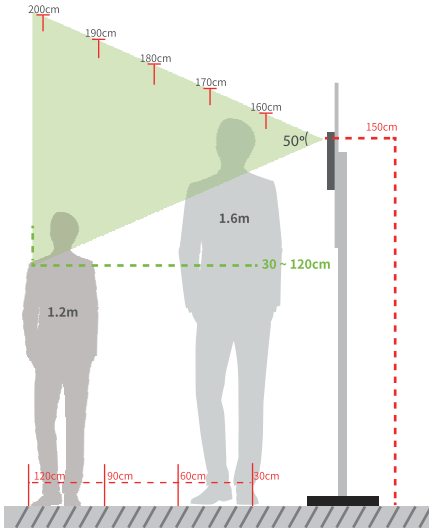


Installation Guide

RevFace15

Version: 1.0

Installation Requirements



- **Installation Height:** 1.5m
- **Height of the Face Adapted for Detection:** 1.2m to 2m

Installation environment:



INSTALL INDOORS ONLY



AVOID INSTALLATION NEAR GLASS WINDOWS



AVOID DIRECT SUNLIGHT AND EXPOSURE

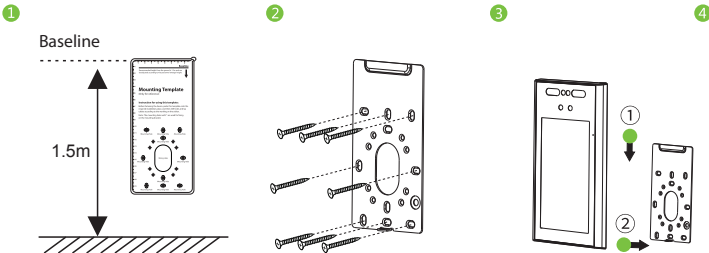


AVOID USE OF ANY HEAT SOURCE NEAR THE DEVICE

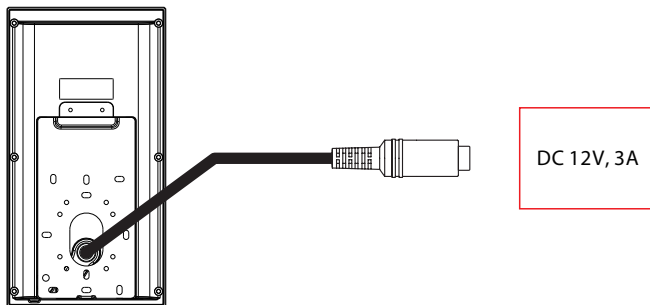
Device Installation

Installing on the wall

- 1 Place the mounting template sticker onto the wall, and drill holes according to the mounting paper.
- 2 Fix the back plate onto the wall using wall mounting screws.
- 3 Fix the device into back plate.
- 4 Use the safety screw to fasten the device to the back plate.

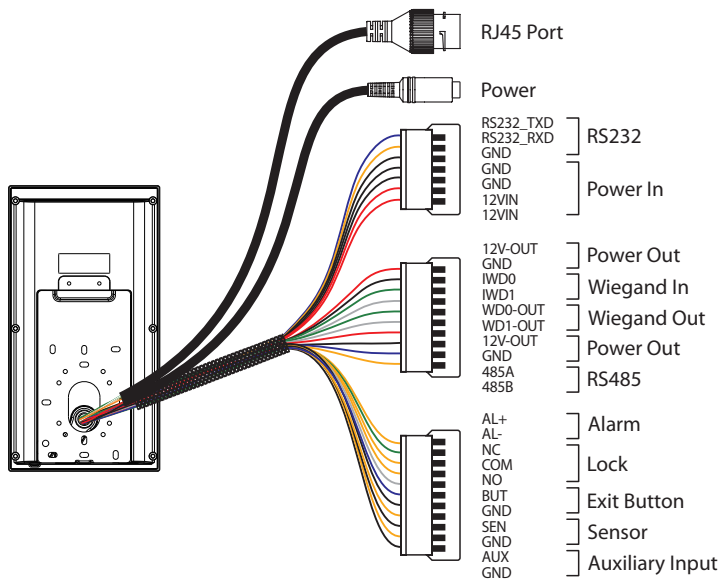


Power Connection

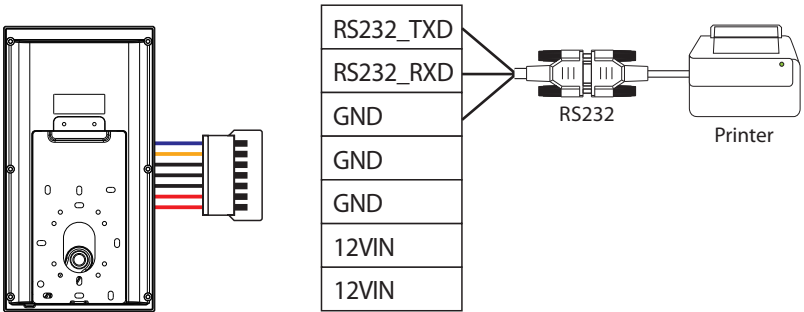


- Recommended AC adapter: 12V, 3A
- To share the power with other devices, use an AC adapter with higher current ratings.

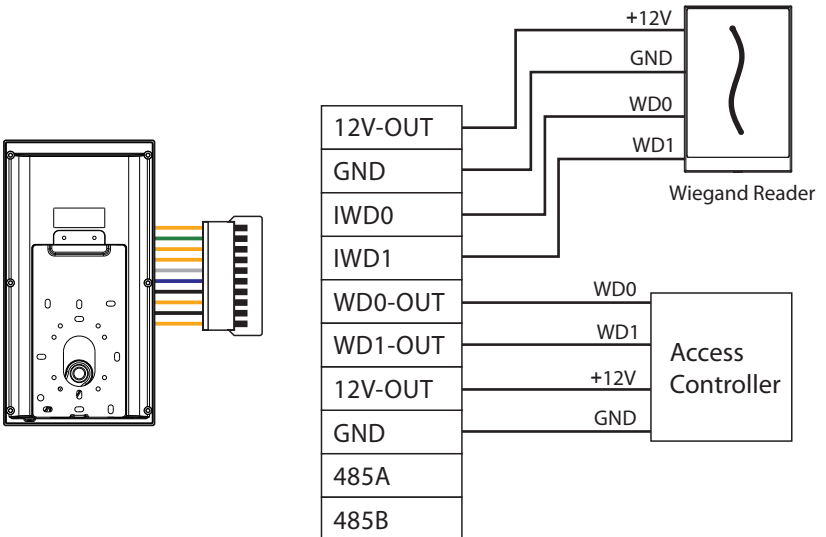
Port Introduction



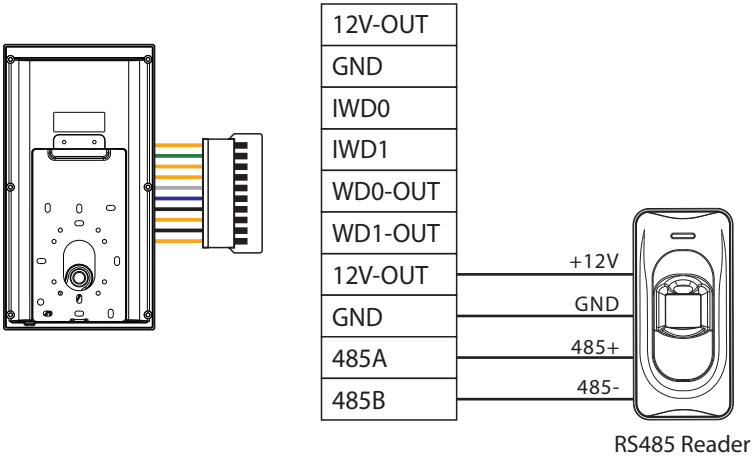
Printer Connection



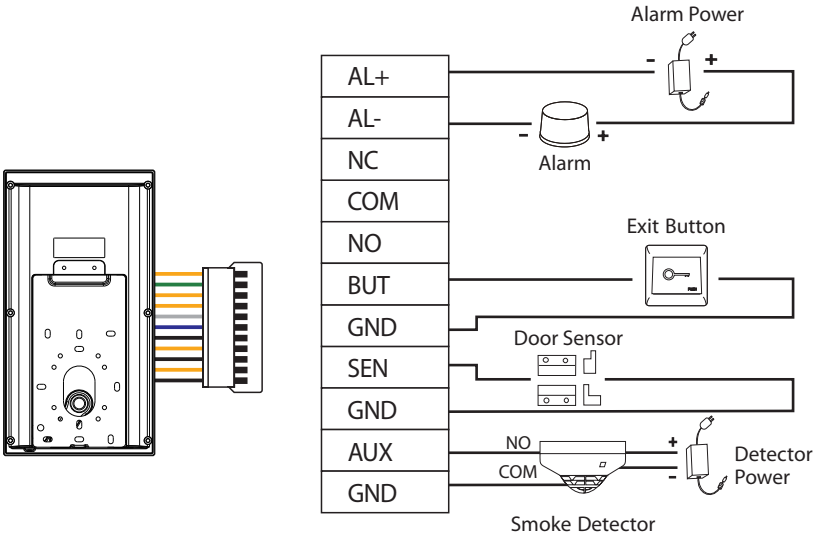
Wiegand Reader Connection



RS485 Connection



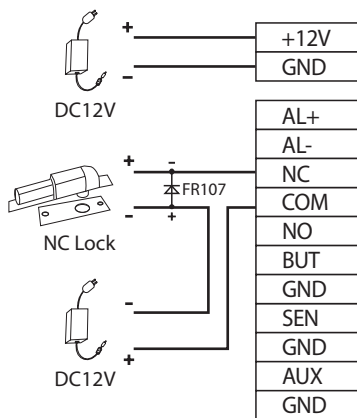
Door Sensor, Exit Button & Alarm Connection



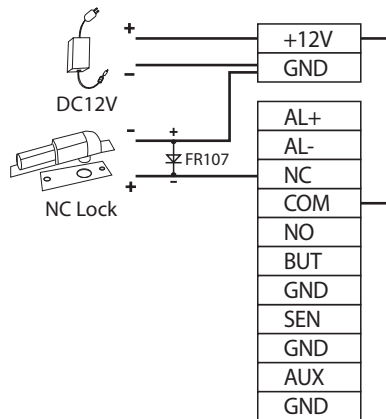
Lock Relay Connection

The system supports both **Normally Opened Lock** and **Normally Closed Lock**. The **NO Lock** (normally open when powered) is connected with '**NO**' and '**COM**' terminals, and the **NC Lock** (normally close when powered) is connected with '**NC**' and '**COM**' terminals. The power can be shared with the lock or can be used separately for the lock, as shown in the example with NC Lock below:

1) Device not sharing power with the lock

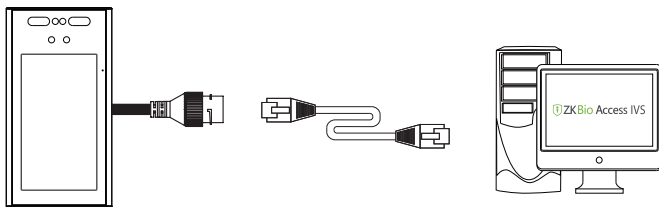


2) Device sharing power with the lock



Ethernet Connection

Connect the device and the software over an Ethernet cable. An example is shown below:



Default IP address: 192.168.1.201
Subnet mask: 255.255.255.0

IP address: 192.168.1.130
Subnet mask: 255.255.255.0

Click [**Comm.**] > [**Ethernet**] > [**IP Address**], input the IP address and click [**OK**].

Note: In LAN, the IP addresses of the server (PC) and the device must be in the same network segment when connecting to ZKBioAccess IVS software.

Download Center

Use the mobile phone and scan the QR Code to download the User Manual, Installation Guide and Quick Start Guide.



Download Center

ZKTeco Industrial Park, No. 32, Industrial Road,
Tangxia Town, Dongguan, China.

Phone : +86 769 - 82109991

Fax : +86 755 - 89602394

www.zkteco.com

