

Installation Guide

Hybrid Vehicle Recognition Terminal --LPRS2000

Version: 1.0

Date: March, 2018

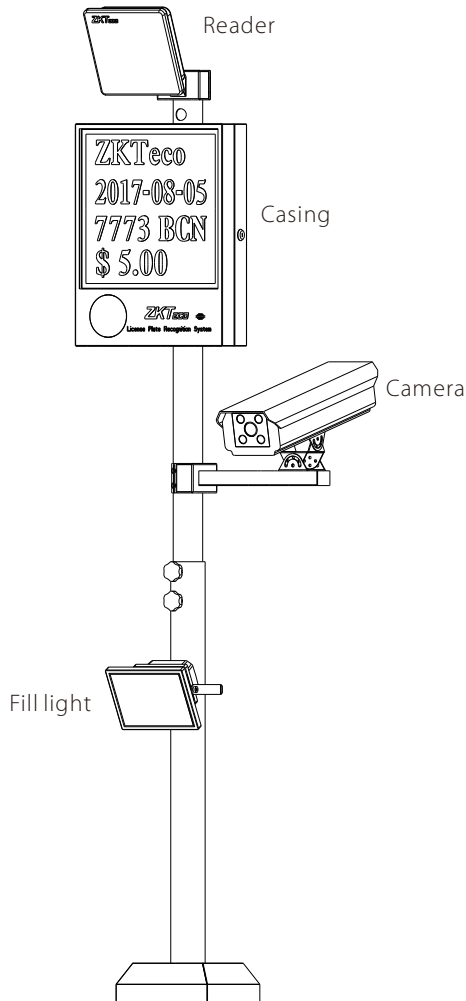
1. Installation Tools

Inner hexagon spanner, ground drill (the latter is not delivered with the product).

2. Safety Precautions

Carefully read this installation guide before installing and using the product. After the installation is complete, strictly check the terminal connection according to the wiring terminal diagram.

3. Overview



4. Installation Location

It is important for the integrated machine to quickly and accurately output license plate recognition results and capture high-quality license plate pictures. Adjust the angle and distance of the camera and the reader to ensure that complete and clear license plate pictures are captured.

● Installation on a straight lane with booth

A straight lane is an ideal installation environment for capturing high-quality pictures when vehicles move to the recognition area.

- 1)The integrated machine and the barrier gate can be installed on the same side of the lane but the integrated machine must be installed in front of the barrier gate with the gap of no less than 30cm so as to avoid mutual interference.
- 2)Recommended distance between the recognition area and the integrated machine is 4~4.5m.

● Installation on a broad lane

- 1)If a lane is too broad, you can divide the lane into two lanes or use barriers such as cone buckets or road piles to mark out a non-motor vehicle lane so that the motor vehicle lane becomes narrow and the vehicle movement direction is straight.
- 2)If a lane is too board but cannot be divided into two lanes or no non-motor vehicle lane can be marked out, you can install two integrated machine, that is, install one on each side of the lane.
- 3)If a lane is very short, install the integrated machine on the side which the vehicle heads lean. When vehicles move from both directions, install one machine in each direction to capture license plate pictures.

● Installation on a curve lane

When the device is installed on a curve lane, the integrated machine shall be installed on the external side of the curve.

● Installation in an underground garage

When installing the integrated machine in an underground garage, follow the principle below:

- 1)**Entrance:** Install the integrated machine on the horizontal road above the ramp of the underground garage.
- 2)**Exit:** Install the integrated machine on the horizontal road below the ramp of the underground garage.

5. Installation Procedure

Step 1: Place the mounting sticker to the place where device needs to be installed and drill.

Step 2: Insert the cover into the column 2; lay the cables from the hole of column 2 and then screw it.

Step 3: Insert the column 1 into the column 2 and tighten it in by hand screws, as shown in figure 1.

Note: Do not put your fingers into the holes in the column 2 when installing!

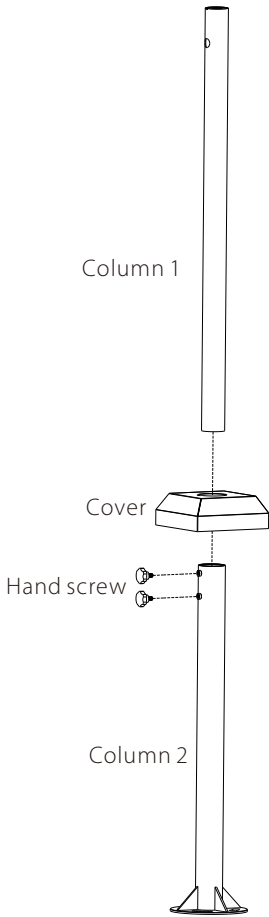


Figure 1

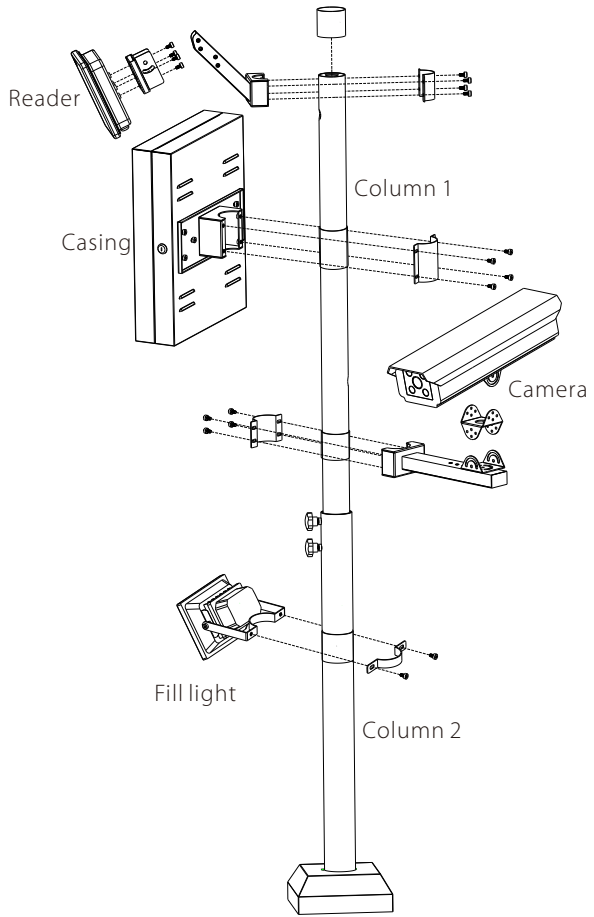


Figure 2

Step 4: Place the sponge mats on column 1, then fix the reader holder and the reader support with a collet and M6 screws as shown in figure 3, 4.

Note: Recommended installation height is 2 m.

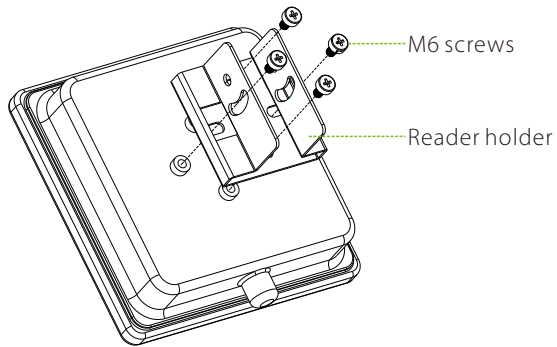


Figure 3

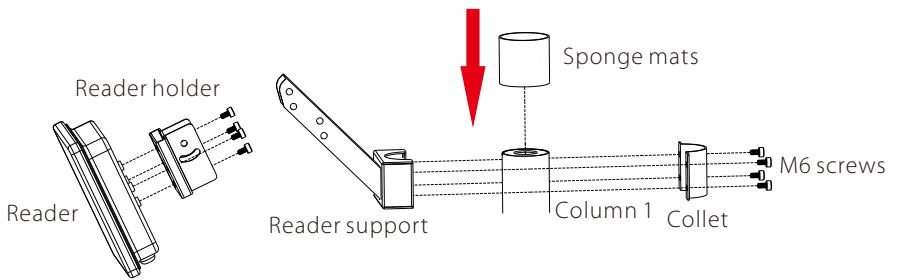


Figure 4

Step 5: Place the sponge mats on column 1, then lock the casing holder and casing support with a collet and M6 screws as shown in figure 2.

Step 6: Place the sponge mats on column 1, fasten the cardan joint and install the camera as shown in figure 5, 6.

Note: Recommended installation height is 1.2 m.

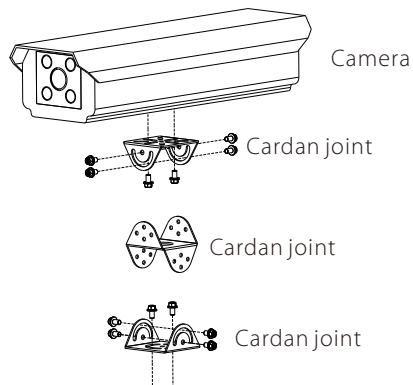


Figure 5

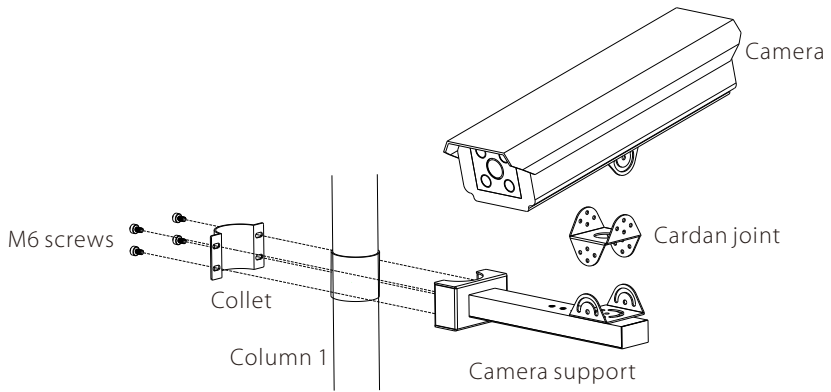


Figure 6

Step 7: Place the sponge mats on column 2, then install the fill light. Adjust the angle as shown in figure 7.

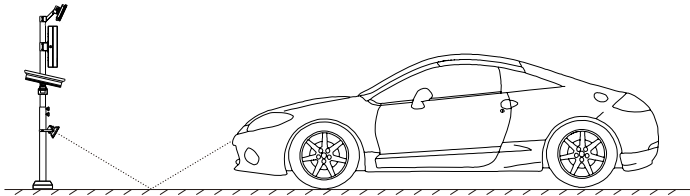


Figure 7

6. Cable Connection Description

Wiring terminal diagram

