

## Wall Mounted Baby Changing Station

### BRAND

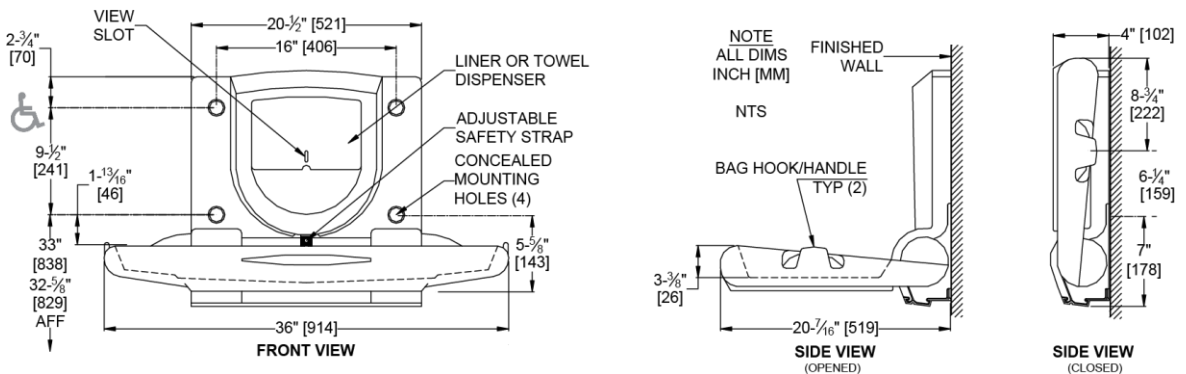
- American Specialist

### PRODUCT SPECIFICATIONS

- Dimension : 914 (L) x 565 (W) x 519 (H) mm
- Material : Blow-molded high-density Polyethylene
- Loading : Maximum 158.8 kg



### TECHNICAL DRAWING



Copyright © Rigel Technology (S) Pte Ltd All rights reserved. Terms of Use.