

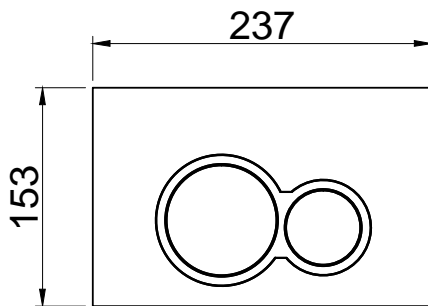
Front Panel

PRODUCT SPECIFICATIONS

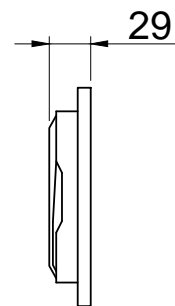
- Dimension : 237 (L) x 29 (W) x 153 (H) mm
- Material : HDPE
- Finishing : Matte finish



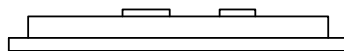
TECHNICAL DRAWING



Front view



Side view



Top view

Copyright © Rigel Technology. (S) Pte Ltd All rights reserved.